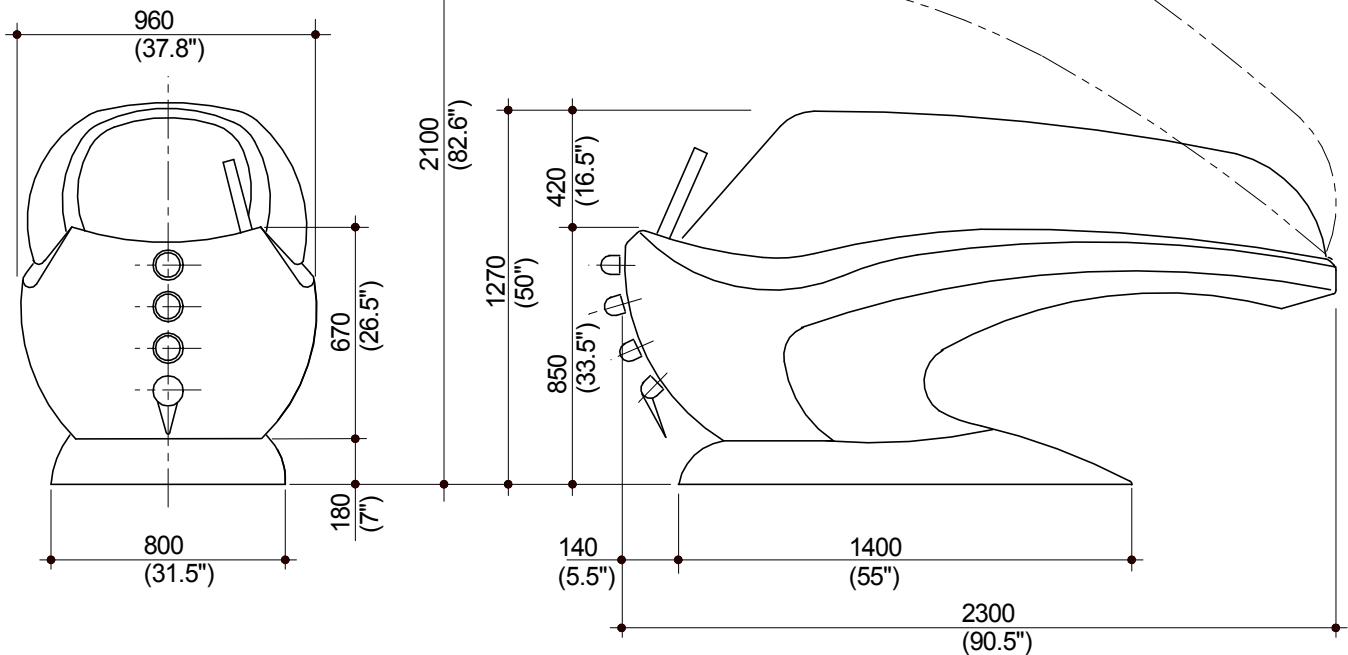


NOTE: LID IS REMOVABLE TO ASSIST WITH ACCESS DURING INSTALLATION.
BASE IS SUPPLIED REMOVED TO ASSIST WITH ACCESS DURING INSTALLATION.



LEGEND:

- ▣ ELECTRICAL SUPPLY.
- ⊕ TUB DRAIN CONNECTION
- ⊕ ROOM FLOOR DRAIN
- HOT WATER CONNECTION
- ⊙ COLD WATER CONNECTION

SERVICES REQUIRED:

- ELECTRICAL: 100 - 240 Volt - 10 Amp SINGLE PHASE 50/60Hz DEDICATED SUPPLY PROTECTED VIA A CLASS "A" GROUND FAULT CIRCUIT INTERRUPTER (GFCI) OUTSIDE NORTH AMERICA A GFCI IS KNOWN AS A "ELCB" EARTH LEAKAGE CIRCUIT BREAKER. CABLE OUT OF FLOOR - TO BE 1000mm (40") IN LENGTH
- 15mm (1/2") HOT & COLD WATER SUPPLY LINES WITH ISOLATION VALVES. PRESSURE 3 - 7 BAR (43 - 100 PSI)
- 50mm (2") FLOOR DRAIN - CONNECTED TO 40mm (1 1/2") TIME DRAIN.
- 50mm (2") FLOOR DRAIN - FOR ROOM.

HYDROCO (AUST) PTY LTD

SEAFORD VICTORIA AUSTRALIA

TIME - CAPSULE

WITH ELECTRICS

ph.+61 3 8770 4000

www.hydroco.com

fax.+61 3 9773 6122

DRG No.T-INST-001