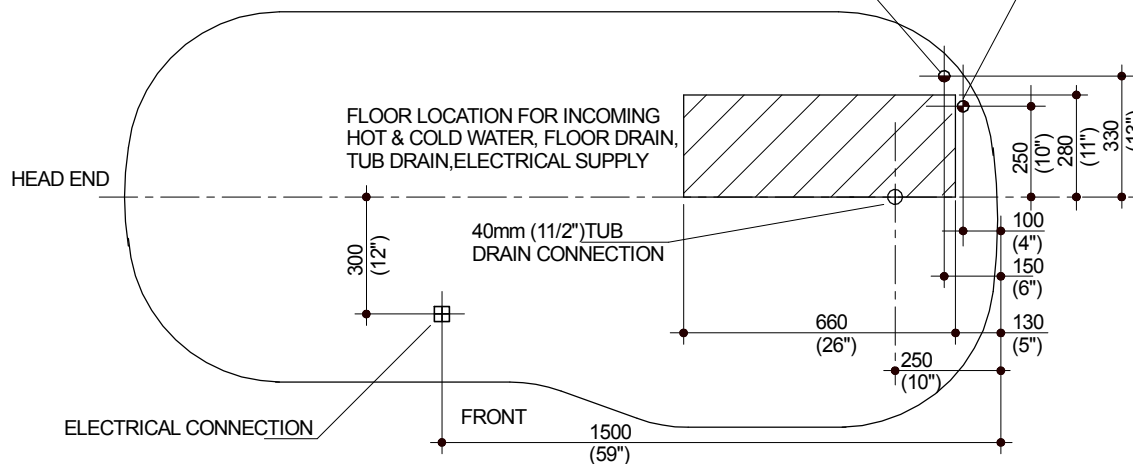
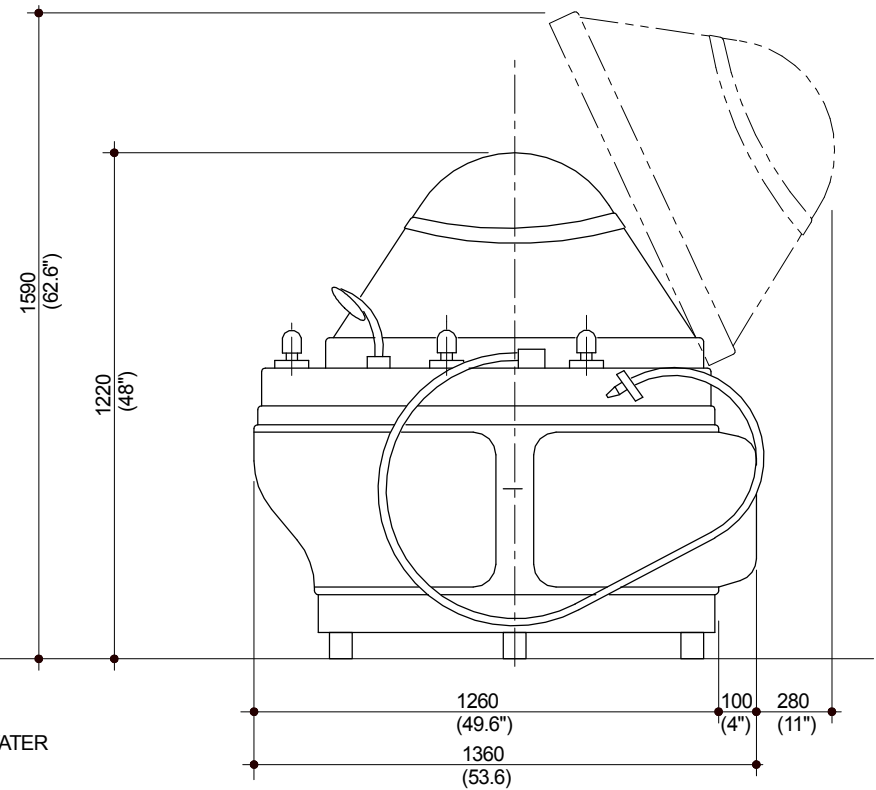
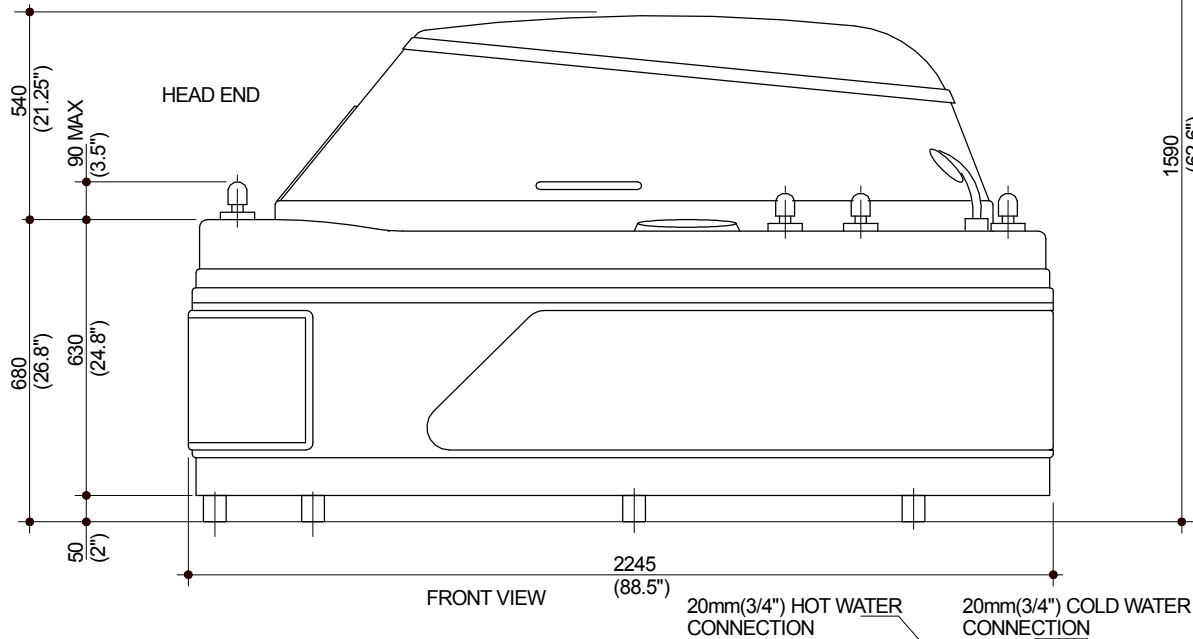


NOTE: REFER TO PREPARATORY PLUMBING & ELECTRICAL SPECIFICATIONS ON WEBSITE

NOTE: UNIT SUPPLIED WITH LID REMOVED FOR HANDLING PURPOSES



SPECIFICATION:

• **PLUMBING:**

- 20mm(3/4") HOT & COLD WATER SUPPLY LINES WITH STRAINERS & ISOLATING VALVES. MAX PRESSURE 10 BAR(145PSI).
- 50mm(2") FLOOR DRAIN - CONNECTED TO 40mm(1 1/2") TUB DRAIN.
- 50mm(2") FLOOR DRAIN - RECOMMENDED FOR WET ROOM DRAIN.

• **TUB CAPACITY:**

200 LITRES (55GALLONS) APPROXIMATELY.
STEAM/SHOWER SYSTEM APPROXIMATELY 250 LITRES (66 GALLONS) USED PER 30 MINUTE TREATMENT.
170 LITRES (45 GALLONS) OF THIS BEING HOT WATER BASED UPON EXPECTED USE SELECT APPROPRIATE HOT WATER SERVICE.

• **ELECTRICAL:**

- 208 - 240 VOLT 50/60 Hz SINGLE PHASE 30Amp SUPPLY REQUIRED INSTALLED ON A DEDICATED LINE WITH DISCONNECT ALL POLE. CLASS "A" GFCI. THE SBSG MODEL # LC220-D RECOMMENDED - OUTSIDE NORTH AMERICA "GFCI" IS KNOWN AS A "ELCB" EARTH LEAKAGE CIRCUIT BREAKER

• **NOTE:**

- 50mm(2") CLEARANCE IS AVAILABLE UNDER TUB FOR PLUMBING & ELECTRICAL ROUTING INSTALL IN ACCORDANCE WITH LOCAL & NATIONAL CODES.

LEGEND:

- ⊕ 40mm(1 1/2") TUB DRAIN
- HW ⊕ 20mm(3/4") HOT WATER CONNECTION
- CW ⊕ 20mm(3/4") COLD WATER CONNECTION
- ⊞ ELECTRICAL CONNECTION

HYDROCO (AUST) PTY LTD
SEAFORD VICTORIA AUSTRALIA

ph.+61 3 8770 4000 www.hydroco.com fax.+61 3 9773 6122

HYDROTONE THERMAL - 3
LAY OUT & SPECIFICATION

DRG No. THM3-INST-001

19 OCT 2007