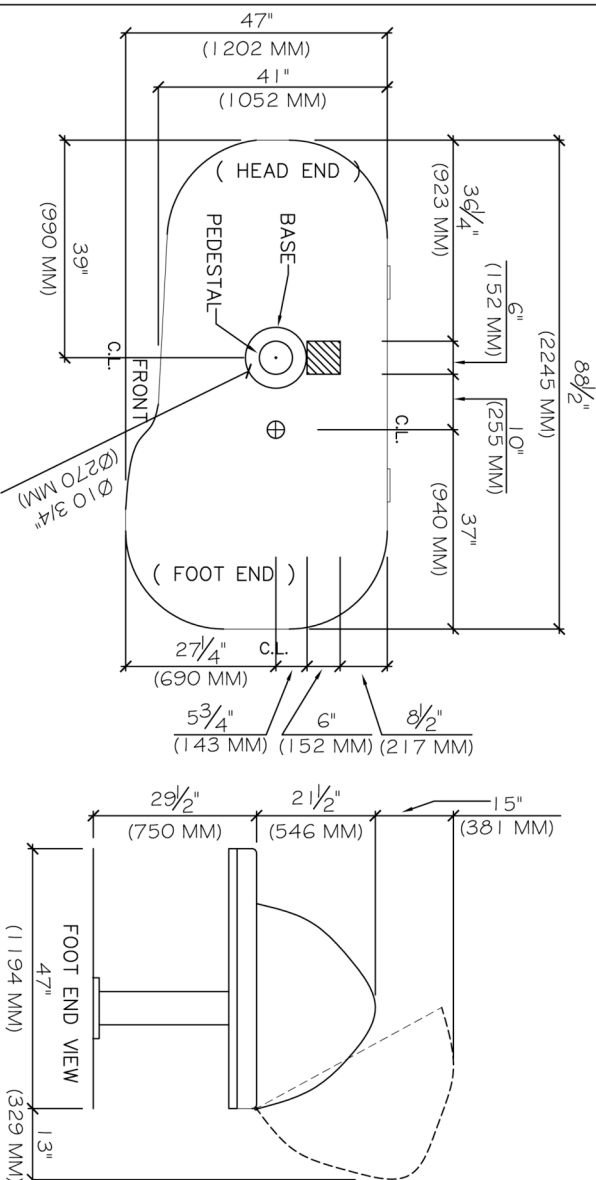


LAYOUT Specifications HYDROTONE THERMAL M



NOTE: THIS IS TO BE USED AS A GUIDE ONLY. THE MANUFACTURER RESERVES THE RIGHT TO AMEND SPECIFICATIONS WITHOUT PRIOR NOTICE



PLUMBING:

- 3/4" HOT & COLD WATER SUPPLY LINES
- MAXIMUM PRESSURE: 145 PSI
- 2" FLOOR DRAIN
- NOTE: 1/2" WATER SUPPLY LINES WILL REDUCE SHOWER FLOW WHEN ALL 4 SHOWERS ARE OPERATED SIMULTANEOUSLY
- APPROXIMATELY 65 GALLONS (250 LITRES) USED FOR A 30 MINUTE TREATMENT. 45 GALLONS (170 LITRES) OF THIS BEING HOT WATER. BASED UPON EXPECTED USE, SELECT APPROPRIATE HOT WATER SERVICE.

LEGEND:

-  FLOOR LOCATION FOR INCOMING HOT & COLD WATER AND FLOOR DRAIN LOCATION (UNLESS TABLE DRAIN CONNECTS DIRECTLY DOWN TO FLOOR DRAIN OR SINK)
-  DRAIN CONNECTION ON TABLE

NOTE:

- INSTALL IN ACCORDANCE WITH LOCAL AND NATIONAL IN CODE REQUIREMENTS
- SEE HYDROTONE INSTALLATION & USER GUIDE (PROVIDED) BEFORE COMMENCING INSTALLATION OF CAPSULE
- UNITS WITH ADJUSTABLE LIFT REQUIRE FLEXIBLE HOT AND COLD WATER CONNECTION AND TELESCOPIC OR FLEXIBLE DRAIN CONNECTION
- 11 3/4" (300MM STROKE)

Updated: 20 October 2004