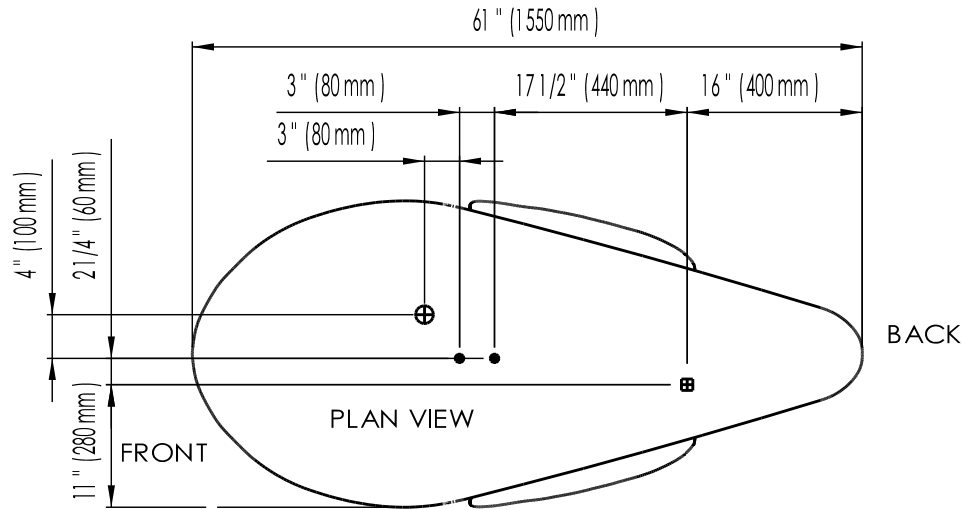


**NOTE:** THIS IS TO BE USED AS A GUIDE ONLY. THE MANUFACTURER RESERVES THE RIGHT TO AMEND SPECIFICATIONS WITHOUT PRIOR NOTICE

2 January 2005



**LEGEND**

- ELECTRICAL CABLE
- ● HOT AND COLD WATER
- ⊕ DRAIN

**Electrical**

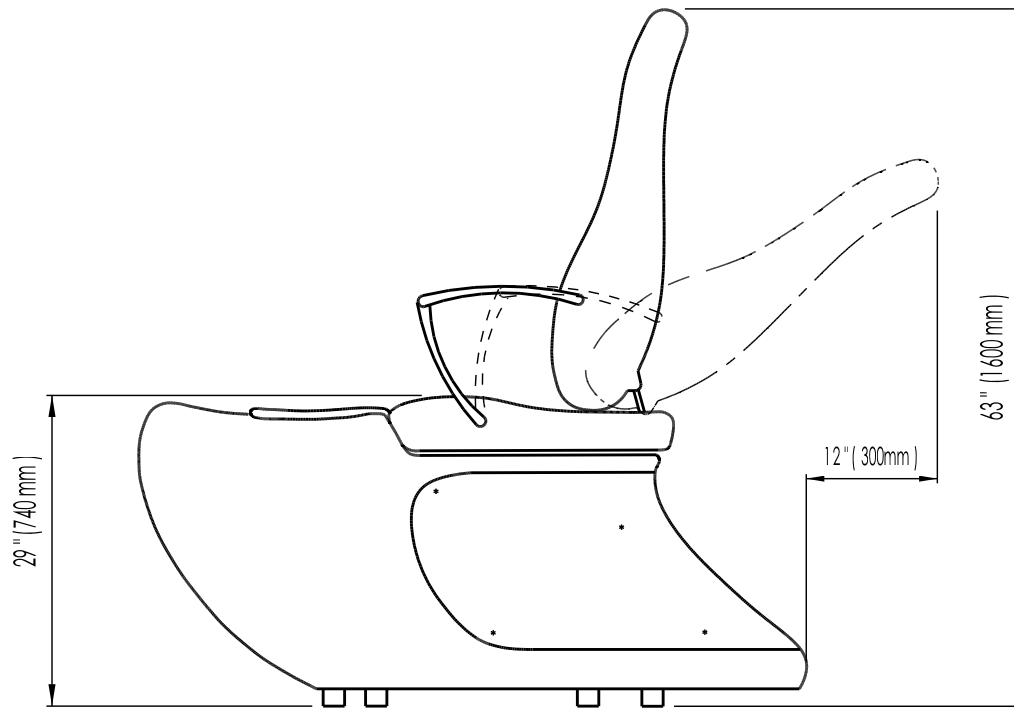
- \* 200- -240 volt, 50 / 60 Hz, 20 Amp
- \* Dedicated line and GFCI

**PLUMBING**

- \* 1/2 inch ( 12mm ) Hot and Cold water supply lines required
- \* Supply pressure range 40 - 100 psi (280 - 700 Kpa)
- \* 1 1/2 inch ( 38 mm ) trapped drain required. Floor - sink recommended

**IMPORTANT**

- \* Obtain and refer to preparatory plumbing and electrical specifications and guidelines prior to commencement of work



**" BEYOND " LAYOUT**

HydroCo (Australia) Pty. Ltd. HydroCo (USA)  
 +61 3 8770 4000 - PHONE 310.381.0071 - PHONE  
 +61 3 9773 6122 - FAX 310.381.0072 - FAX

