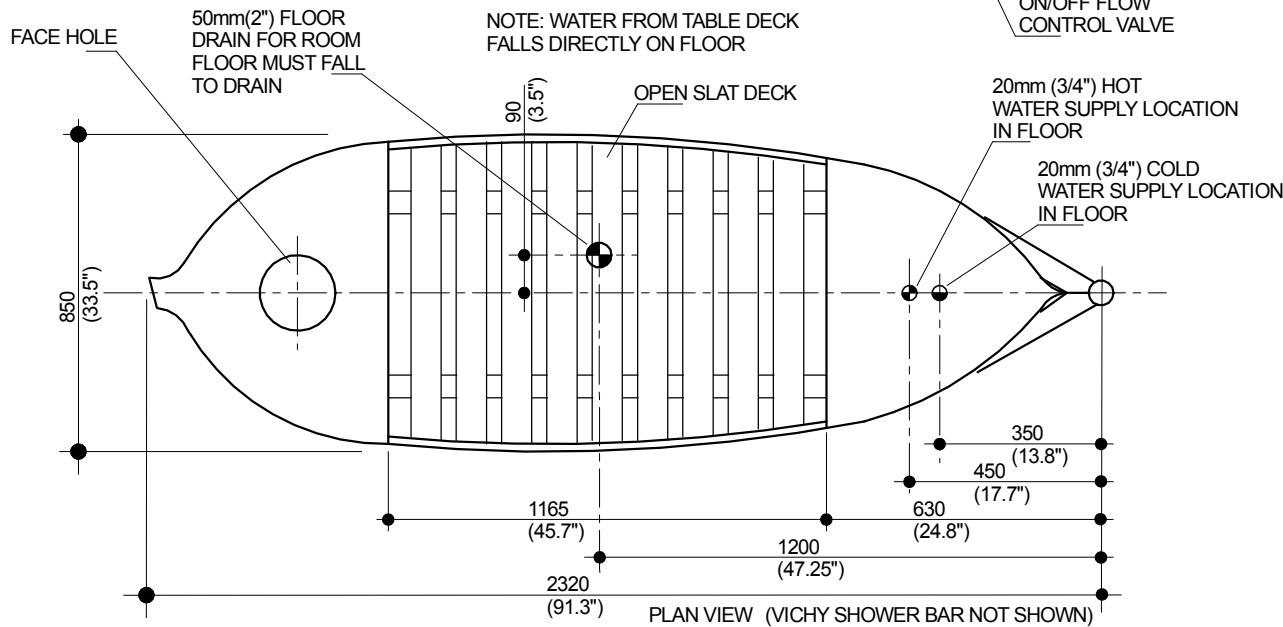
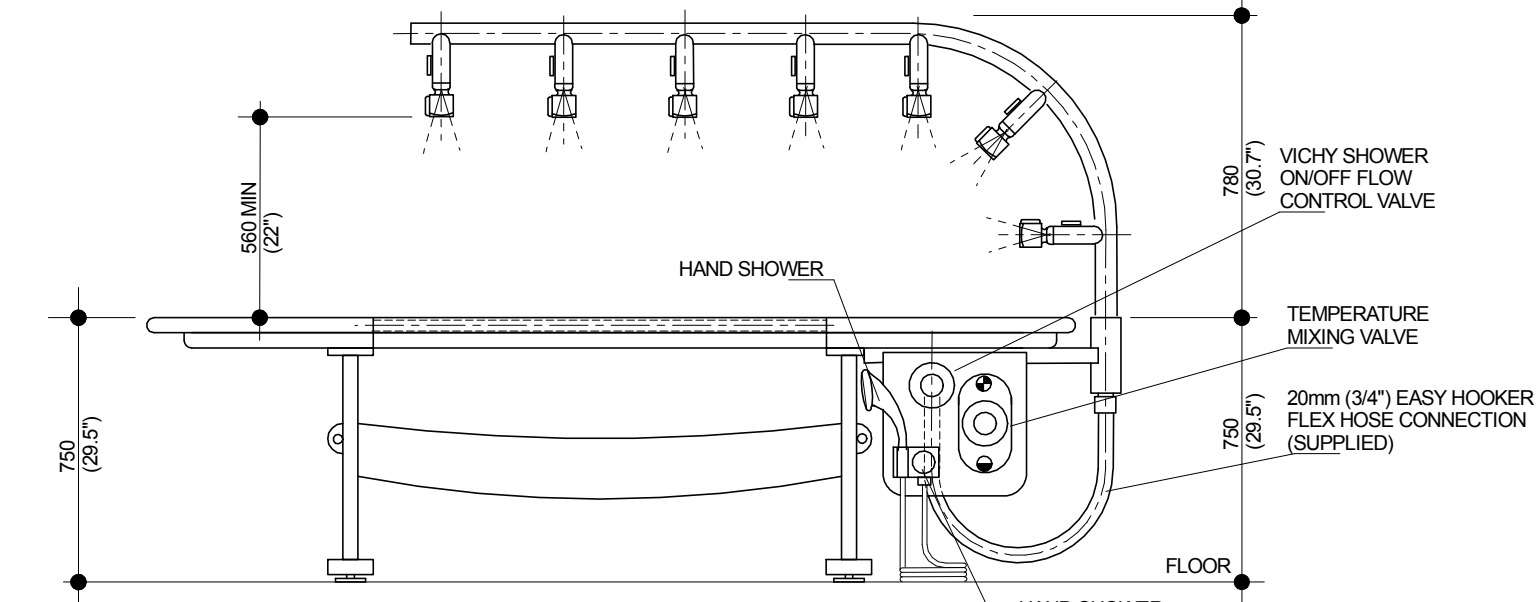


VICHY SHOWER - SWING AWAY BAR - 7 - SHOWER HEADS
WITH INDIVIDUAL FLOW CONTROL VALVES



PLUMBING:

- 20mm NB(3/4") HOT & COLD WATER SUPPLY LINES
MAX PRESSURE 7 BAR (100 PSI)
4 BAR (60 PSI) TO 5 BAR (70 PSI) RECOMMENDED.
FIT SHUT OFF VALVES AND SERVICEABLE STRAINERS
IN WATER SUPPLY LINES.
- 50mm (2") FLOOR DRAIN FOR ROOM.
- APPROXIMATELY 400 LITRES (100 GALLONS) USED FOR A (20) TWENTY
MINUTE TREATMENT.BASED UPON HYDROCO TREATMENT
ASSUME 200 LITRES (50 GALLONS) OF THIS BEING HOT WATER
BASED ON THE EXPECTED NUMBER OF TREATMENTS DAILY AN
APPROPRIATE HOT WATER SUPPLY NEEDS TO BE INSTALLED.

NOTE: INSTALL IN ACCORDANCE WITH LOCAL AND NATIONAL
CODE REQUIREMENTS.

LEGEND:

⊕ 50mm (2") FLOOR DRAIN - FOR ROOM DRAIN

HW ⊕ 20mm (3/4") HOT WATER CONNECTION

CW ⊖ 20mm (3/4") COLD WATER CONNECTION

HYDROCO (AUST) PTY LTD

SEAFORD VICTORIA AUSTRALIA

ph.+61 3 8770 4000 www.hydroco.com fax.+61 3 9773 6122

HYDROWOOD 7 DECK - LAYOUT & SPECIFICATION

DRG No.HWD-INST-001

NOTE! THIS DRAWING IS TO BE USED AS A GUIDE ONLY AND IS SUBJECT TO CHANGE WITHOUT NOTICE

15 OCT 2007